

Coupled-Resonator-Induced Transparency with a Squeezed Vacuum

Ke Di (邸克), Changde Xie (谢常德), and Jing Zhang (张靖)*

State Key Laboratory of Quantum Optics and Quantum Optics Devices, Institute of Opto-Electronics, Shanxi University, Taiyuan 030006, People's Republic of China

(Received 19 January 2011; published 14 April 2011)

We present the first experimental observation of quantum fluctuation spectra in two coupled optical cavities with an injected squeezed vacuum light. The quadrature components of the reflected squeezed vacuum spectra are measured by phase-sensitive homodyne detector. The experimental results demonstrate coupled-resonator-induced transparency in the quantum regime, in which the electromagnetically-induced-transparency-like characteristic of the absorption and dispersion properties of the coupled optical cavities determines the line shape of the reflected quantum noise spectra.

DOI: [10.1103/PhysRevLett.106.153602](https://doi.org/10.1103/PhysRevLett.106.153602)

PACS numbers: 42.50.Lc, 42.50.Dv, 42.50.Gy, 42.60.Da

The squeezed vacuum as a vital source of quantum entanglement enable us to implement a variety of quantum information protocols deterministically [1,2]. Propagation, storage, and manipulation of the squeezed vacuum and entanglement are essential for quantum information processing [1,2]. Recent experiments have demonstrated the transmission [3], slowing down [4–6], storage and retrieval [7,8] of squeezed states of light through electromagnetically induced transparency (EIT) in multilevel atomic systems [9]. The manipulations of squeezed vacuum and two-mode entangled state by means of a phase-sensitive optical amplifier [10] have also been achieved experimentally.

EIT in atoms comes from quantum destructive interferences between excitation pathways to the upper level of an atomic three-level system [9]. It has been proved that there are analogical phenomena of the coherence and interference process in some classical physical systems, such as plasma [11], coupled optical resonators [12–14], mechanical or electric oscillators [15], and optical parametric oscillators [16]. Particularly, the analog of EIT in coupled optical resonators including the capabilities of slowing, stopping, storing and time reversing an incident optical pulse have made great progress in experiment recently, which have been reported for observing the structure of the EIT-like spectrum in a compound glass waveguide platform using relatively large resonators [17], coupled fused-silica microspheres [18,19], integrated micron-size silicon optical resonator systems [20], photonic crystal cavities [21], and fiber ring resonators [22]. These works also open up the new possibility of utilizing coupled optical resonators to realize the optical communication and the simulation of coherent effect in quantum optics. In this Letter, we report the first experimental observation of quantum fluctuation spectra in two coupled optical cavities with an injected squeezed vacuum state. Using the phase-sensitive homodyne detection setup with a local oscillator beam, the line shapes of the quantum noise spectra of the output squeezed vacuum are experimentally measured,

which clearly exhibit the EIT-like characteristic of the absorptive and dispersive properties in two coupled optical cavities. We are sure that the results demonstrated in the experiment using coupled two large optical cavities can be obtained identically in microstructure devices if on-chip coupled optical cavities are used, and thus it has potential applications in the manipulation of optical quantum states.

The experimental setup (Fig. 1) consists of five parts including a laser source, a mode clean system, an optical parametric oscillation (OPO), coupled optical resonators (C-R system), and homodyne detection (HD) system. The laser source is a diode-pumped intracavity frequency-doubled (continuous-wave ring Nd:YVO₄ + KTP) laser, which provides the second-harmonic light of ~ 200 mW at 532 nm and the fundamental light of 50 mW at 1064 nm simultaneously. The fundamental light is injected into a

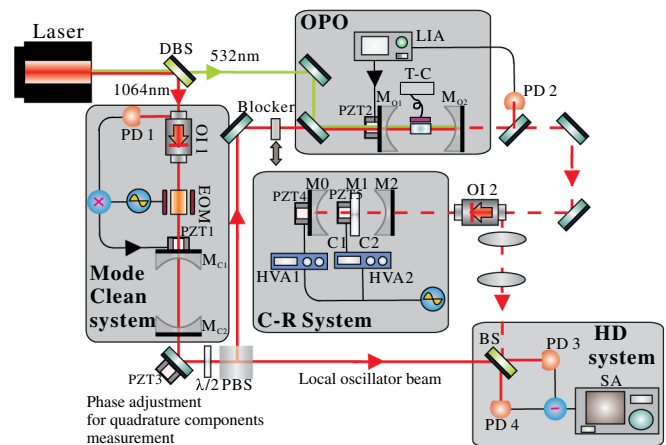


FIG. 1 (color online). Schematic of the experimental setup. OPO: an optical parametric oscillation below threshold to generate the squeezed vacuum state; DBS: Dichroic beam splitter; PD: photodiode; OI: optical isolator; EOM: electro-optical modulator; T-C: temperature controller; LIA: lock-in amplifier; HVA: high voltage amplifier; PBS: polarizing beam splitter; SA: spectrum analyzer; HD: homodyne detector; PZT: piezoelectric transducer.

mode clean system which is served as spatial mode cleaner. The fundamental light is divided into two optical beams after it passes through the mode clean cavity, one of which is used for the local oscillator in the HD system, and the other one is sent into the OPO to be as the signal field for the alignment of both OPO cavity and the C-R system. When this signal beam injected into OPO is blocked by a movable blocker and only the pump light at 532 nm exists, the output of OPO will be a squeezed vacuum. The configuration of the OPO is a near concentric optical cavity consisting of two concave mirrors M_{o1} and M_{o2} of 30 mm curvature radius with a separated distance of ~ 60 mm and a 12 mm long PPKTP (periodically poled KTP) crystal is place at the center position of the cavity. The PPKTP crystal is mounted in a copper block for actively controlling its temperature at the phase-matching temperature. The input coupler M_{o1} of the OPO cavity has a reflectivity of 99.5% at 1064 nm and 30% at 532 nm, which is mounted on a piezoelectric transducer (PZT2) for the adjustment of the cavity length. The reflectivity of the output coupler M_{o2} is 88.7% at 1064 nm and it is coated to be a high reflector ($> 99\%$) for 532 nm. In such a coated optical cavity the power of the second-harmonic wave can be built up to a few times of the input power when the fundamental wavelength is on resonance with the cavity. The squeezed vacuum generated by OPO is injected into the coupled resonators through an optical isolator, which separates the reflection field of the coupled resonators from the injected field. The squeezing degree of the squeezed vacuum generated by the OPO is measured by a balanced homodyne detector consisting of a 50% beam splitter, where the squeezed vacuum and the local oscillator beam are combined, as well as a pair of Epitaxx ETX-500T photodiodes. Adjusting the spatial mode of reflected beam from the coupled cavities, an interference fringe visibility of 94% between local oscillator and the reflected beam was achieved in the experiment.

The C-R system in Fig. 1 involves the two coupled resonators consisting of two standing wave cavities, which are constructed by M_0 , M_1 , and M_2 . M_0 and M_2 are the concave mirrors of 30 mm curvature radius with a separation of 59 mm. M_1 is a plane mirror mounted on a PZT5, which is inserted at the middle between M_0 and M_2 . One surface of M_1 facing to M_2 is coated with antireflection for 1064 nm and the other surface facing to M_0 is coated with partial reflectivity for 1064 nm. The two directly coupled optical cavities (C_1 and C_2) are in the same geometric structure, and the coupling strength between C_1 and C_2 depends on the reflectivity of the middle mirror M_1 . The PZT 4 and 5 mounted on the mirrors M_0 and M_1 are used for controlling the cavity length of C_1 and C_2 , respectively. The reflectivity of M_2 is 96.8% and M_0 is high reflectivity for 1064 nm. When the reflectivity of M_1 is chosen to be 99.8% (case I) and 96.7% (case II), respectively, two kinds of coupled resonators with different coupling strength are constructed.

Before injecting the squeezed state into the two coupled cavities, we first characterize the two coupled cavities in the classical field by injecting a coherent signal beam at the subharmonic wavelength. When the pump beam is blocked, the OPO cavity is locked on resonance with the fundamental field by a lock-in amplifier and the transmitted light at 1064 nm is injected into the coupled-resonator system to be the signal beam. The intensity of the reflected field of the coupled resonators extracted by an optical isolator is detected directly by a photodiode. When we blocked the cavity C_1 of the coupled cavities, the reflected intensity from the cavity C_2 during scanning the cavity length are a simple Lorentzian profile as shown in the Figs. 2(a) and 2(c). Figures 2(a) and 2(c) correspond to the overcoupled optical cavity for the experimental parameters (case I) and the near critically coupled optical cavity (case II), respectively [23]. Then we open the cavity C_1 to study the features of the two coupled optical cavities. Usually the reflected intensity with the injected coherent signal light are measured by adjusting two cavities to be coresonant and scanning the laser frequency [18–20]. Here we employ an equivalent way to measure the intensity of the reflected light, that is to keep the laser frequency unchanged and scan the length of the two cavities. A high voltage amplifier (HVA1), which that drives the PZT4 actuating the mirror M_0 uses the same scanning signal source with the HVA2 driving the PZT5 for the mirror M_1 . So, when the gain of HVA1 is 2 times larger than that of HVA2, the reflected intensity by scanning the length of two cavities are equivalent to scanning the laser frequency. As we can see in Fig. 2(b), a transparent window appeared in the middle of the absorption profile due to the existence of the cavity C_2 . The destructive interference between the two optical pathways results in the transparent peak, which is named as a coupled-resonator-induced

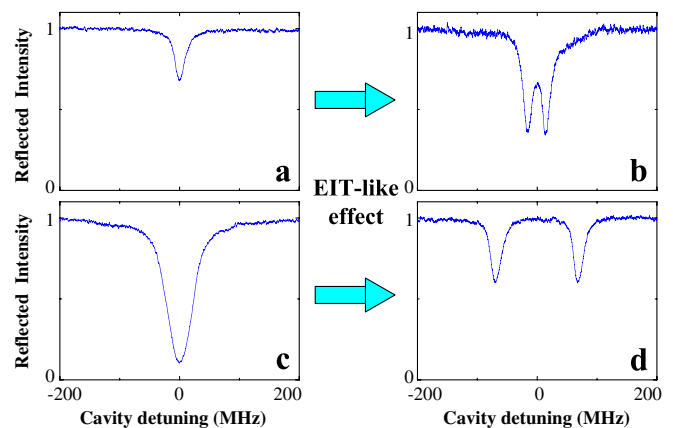


FIG. 2 (color online). The reflection intensity of the coupled cavities injected with the coherent signal beam, as a function of the cavity detuning for different coupling strength. (a) and (c) correspond to the reflected intensity for the single cavity C_2 (blocking the cavity C_1). (b) and (d) are the reflected intensity of the two coupled resonators with two different coupling strength of the case I and II, respectively.

transparency. This transparent peak becomes broader when the coupling strength is increased and the original mode eventually is split into two modes [as shown in Fig. 2(d)].

Now, let us inject the squeezed vacuum state into the coupled optical cavity system to investigate the coupled-resonator-induced transparency effect formed by the quantum field. A quadrature squeezed vacuum state with about 1.6 dB squeezing component and 4 dB antisqueezing component at the sideband frequency of 2.5 MHz is generated from the subthreshold OPO when we block the signal beam of 1064 nm light and only approximate 50 mW pump beam of 532 nm is applied. Similarly, the reflection spectra of the squeezed vacuum light from the cavity *C2* is examined by scanning *M1* with PZT5 when blocking the cavity *C1* of the coupled cavities, firstly. Fixing the relative phase between the local beam and the squeezed vacuum light reflected by the cavity *C2* to be $\theta = 0$ (or $\theta = \pi/2$) by tuning the PZT3, we can obtain the squeezing (or antisqueezing) component of the reflected quadrature spectra at far off resonance. Because of the absorption and dispersion properties of the single optical cavity, the reflected spectra of quantum fluctuation near resonance will be changed [24]. Figures 3(a) and 4(a) show the reflected quadrature spectra of the squeezing component for the experimental parameters of case I and II, respectively, and Figs. 3(b) and 4(b) show the corresponding antisqueezing component. The line shape of the reflected spectrum of the squeezed component for the over-coupled optical cavity (case I) presents *M* profile [Fig. 3(a)], and the two

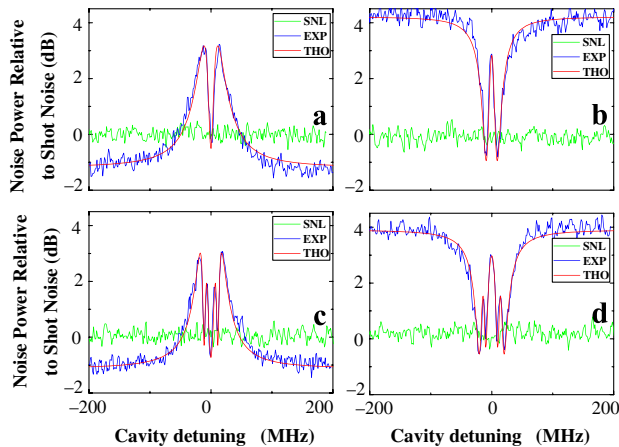


FIG. 3 (color online). The quantum fluctuation spectra of the reflected field from the coupled optical cavities for the experimental parameter case I. The quadrature spectra are measured at the sideband frequency of 2.5 MHz. (a) and (b) show, respectively, the reflected quadrature spectra of the squeezing and antisqueezing component for the single cavity *C2*. (c) and (d) are the reflected quadrature spectra of the squeezing and antisqueezing component, respectively, for two coupled resonators. The red curves are the theoretical calculations. The green curves are the shot-noise limit. The blue curves are the experimental results.

shoulders at detuning frequencies are higher, which is due to the lower loss and larger phase shift in the over-coupled cavity. The two shoulders in the profile corresponds to the phase shift of $\pm\pi/2$ induced by the cavity. The degree of the squeezing at zero detuning is below the SNL and will reach the degree of the input squeezing for the strongly over-coupled cavity. The noise spectrum of the antisqueezed component presents the *W* profile as shown in Fig. 3(b). The noise level at zero detuning will reach the level of the input antisqueezing component for the strongly over-coupled cavity. Since the amplitude of the reflected field is zero at resonance for critically coupled cavity (case II), the line shape of the reflected spectrum of the squeezed component also presents *M* profile [Fig. 4(a)], however, the two shoulders are lower than that of case I. The reflected spectrum of the antisqueezing component presents *V* profile and only one dip locates at resonance [Fig. 4(b)].

Now, we open the cavity *C1* to build up the coupled resonators system. The reflection spectra for the squeezed vacuum light are studied by the way of scanning the length of two cavities as described above. Figures 3(c), 4(c), 3(d), and 4(d) show the reflected quadrature spectra of the squeezing and antisqueezing components for the experimental parameters of case I and II, respectively. For two coupled resonators with weak coupling strength, two extra dips appear, respectively, in the two shoulders of the reflected spectrum for the squeezed component [three dips appear in the center of a broader peak as shown in Fig. 3(c)]. Correspondingly, three peaks present in the center of a broader dip for the reflected spectrum of the antisqueezing component [Fig. 3(d)]. These extra dips and peaks are induced by the dispersion characteristic of the coupled-resonator-induced transparency, which presents

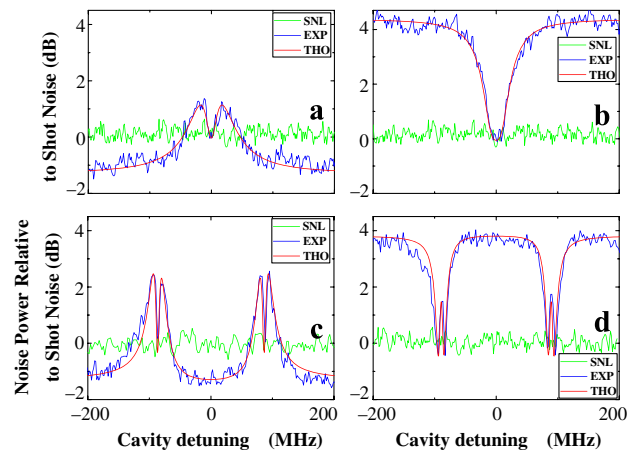


FIG. 4 (color online). The quantum fluctuation spectra of the reflected field from the coupled optical cavities for the experimental parameter case II. (a) and (b) are the reflected quadrature spectra of the squeezing and antisqueezing component for the single cavity *C2*, respectively. (c) and (d) are the reflected quadrature spectra of the squeezing and antisqueezing component for two coupled resonators, respectively.

three points of crossing the zero phase shift. For the case of large coupling strength, in which the original mode splits into two, two independent M profiles (each M profile shows the same line shape of the reflected spectrum of the squeezed component for the single over-coupled cavity) appear in the detuning frequencies of the reflected spectrum of the squeezed component as shown in Fig. 4(c). Correspondingly, two independent W profiles also appear in the detuning frequencies of the reflected spectrum of the antisqueezed component as shown in Fig. 4(d). In order to make theoretical comparisons with the above experimental results, the reflected spectra for the amplitude and phase quadratures are calculated (see Ref. [25] for the detailed theoretical calculation) with experimental parameters. Our theoretically calculated results (red lines) are plotted together with the experimental data in Figs. 3 and 4, which show excellent agreements. This result shows that EIT-like characteristic of the absorption and dispersion properties of the coupled optical cavities determines the line-shape of the reflected quantum noise spectra.

In summary, we have experimentally demonstrated the response of two coupled optical cavities in quantum domain. We developed a method to measure the reflection spectra by scanning the length of two cavities instead of scanning the laser frequency. We gave the reflected quantum fluctuation spectra of the two coupled resonators with two different coupling strength and showed that the line-shapes of the reflected quantum noise spectra depend on the absorptive and dispersive properties of two coupled optical cavities with EIT-like characteristic. This work achieves the first step of manipulating quantum fluctuations using coupled resonators and provides a scheme for the future studies on slow light, storage and retrieval [14] of quantum fields. Here we would like to emphasize that the basic requirements of a light-stopping process (capture, storage, and release of the light pulse) are that the coupled-resonator system supports a large-bandwidth state to accommodate the input pulse bandwidth, which is then dynamically tuned to an narrow-bandwidth state to stop the pulse and done reversibly after some storage time to release light pulse. Two dynamically tuned resonators for stopping light have been proposed theoretically [13,26] and demonstrated experimentally [27]. Thus this protocol should be feasible to be used to capture, storage and release of squeezed light. The current structure of two coupled cavities in our experiment can not satisfy this requirement completely to tune the cavity bandwidth dynamically. However, the structure with two dynamically tuned resonators above-mentioned for stopping light could be used in our system. We also hope that this work will stimulate the development of manipulating the quantum optical fields with on-chip coupled optical cavities.

This research was supported in part by NSFC for Distinguished Young Scholars (Grant No. 10725416), National Basic Research Program of China (Grant

No. 2011CB921601, 2010CB923103), NSFC Project for Excellent Research Team (Grant No. 60821004), and NSFC (Grant No. 60736040).

*jzhang74@yahoo.com

jzhang74@sxu.edu.cn

- [1] S. L. Braunstein and A. K. Pati, *Quantum Information with Continuous Variables* (Kluwer Academic, Dordrecht, 2003).
- [2] *Quantum Information with Continuous Variables of Atoms and Light*, edited by N. Cerf, G. Leuchs, and E. S. Polzik (Imperial College Press, London, 2007).
- [3] D. Akamatsu, K. Akiba, and M. Kozuma, *Phys. Rev. Lett.* **92**, 203602 (2004).
- [4] D. Akamatsu *et al.*, *Phys. Rev. Lett.* **99**, 153602 (2007).
- [5] M. Arikawa *et al.*, *Opt. Express* **15**, 11849 (2007).
- [6] G. Hetet *et al.*, arXiv:0803.2097.
- [7] K. Honda *et al.*, *Phys. Rev. Lett.* **100**, 093601 (2008).
- [8] J. Appel *et al.*, *Phys. Rev. Lett.* **100**, 093602 (2008).
- [9] S. E. Harris, *Phys. Today* **50**, 36 (1997); M. Fleischhauer and A. Imamoglu *et al.*, *Rev. Mod. Phys.* **77**, 633 (2005).
- [10] J. Zhang *et al.*, *Phys. Rev. Lett.* **101**, 233602 (2008); Y. Shang *et al.*, *Opt. Lett.* **35**, 853 (2010).
- [11] S. E. Harris, *Phys. Rev. Lett.* **77**, 5357 (1996); A. G. Litvak and M. D. Tokman, *Phys. Rev. Lett.* **88**, 095003 (2002); G. Shvets and J. S. Wurtele, *Phys. Rev. Lett.* **89**, 115003 (2002).
- [12] D. D. Smith *et al.*, *Phys. Rev. A* **69**, 063804 (2004).
- [13] L. Maleki *et al.*, *Opt. Lett.* **29**, 626 (2004).
- [14] M. F. Yanik *et al.*, *Phys. Rev. Lett.* **93**, 233903 (2004); M. F. Yanik and S. Fan, *Phys. Rev. Lett.* **92**, 083901 (2004); M. F. Yanik and S. Fan, *Phys. Rev. A* **71**, 013803 (2005).
- [15] P. R. Hemmer and M. G. Prentiss, *J. Opt. Soc. Am. B* **5**, 1613 (1988); C. L. Garrido Alzar *et al.*, *Am. J. Phys.* **70**, 37 (2002).
- [16] H. Ma *et al.*, *Phys. Rev. Lett.* **95**, 233601 (2005); C. Ye and J. Zhang, *Opt. Lett.* **33**, 1911 (2008).
- [17] S. T. Chu *et al.*, *IEEE Photonics Technol. Lett.* **11**, 1426 (1999).
- [18] A. Naweed *et al.*, *Phys. Rev. A* **71**, 043804 (2005).
- [19] K. Totsuka, N. Kobayashi, and M. Tomita, *Phys. Rev. Lett.* **98**, 213904 (2007).
- [20] Q. Xu *et al.*, *Phys. Rev. Lett.* **96**, 123901 (2006).
- [21] X. Yang *et al.*, *Phys. Rev. Lett.* **102**, 173902 (2009).
- [22] Y. Dumeige *et al.*, *Phys. Rev. A* **78**, 013818 (2008).
- [23] B. J. J. Slagmolen *et al.*, *Appl. Opt.* **39**, 3638 (2000); D. D. Smith and H. Chang, *J. Mod. Opt.* **51**, 2503 (2004).
- [24] M. D. Levenson *et al.*, *Opt. Lett.* **10**, 514 (1985); P. Galatola *et al.*, *Opt. Commun.* **85**, 95 (1991); J. Zhang *et al.*, *J. Opt. Soc. Am. B* **17**, 1920 (2000); A. Zavatta, F. Marin, and G. Giacomelli, *Phys. Rev. A* **66**, 043805 (2002).
- [25] See supplemental material at <http://link.aps.org/supplemental/10.1103/PhysRevLett.106.153602>.
- [26] C. R. Otey *et al.*, *Appl. Phys. Lett.* **94**, 231109 (2009).
- [27] Q. Xu *et al.*, *Nature Phys.* **3**, 406 (2007).